


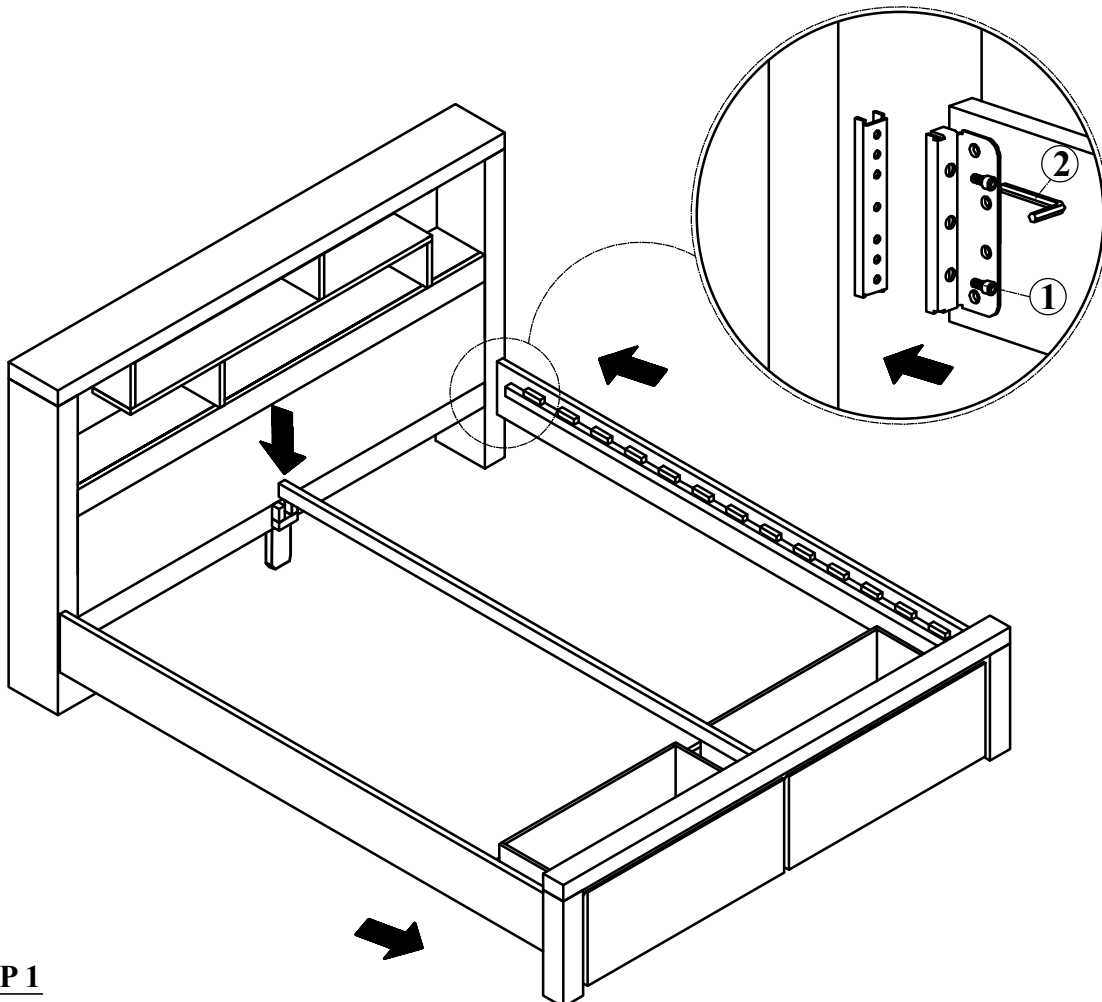
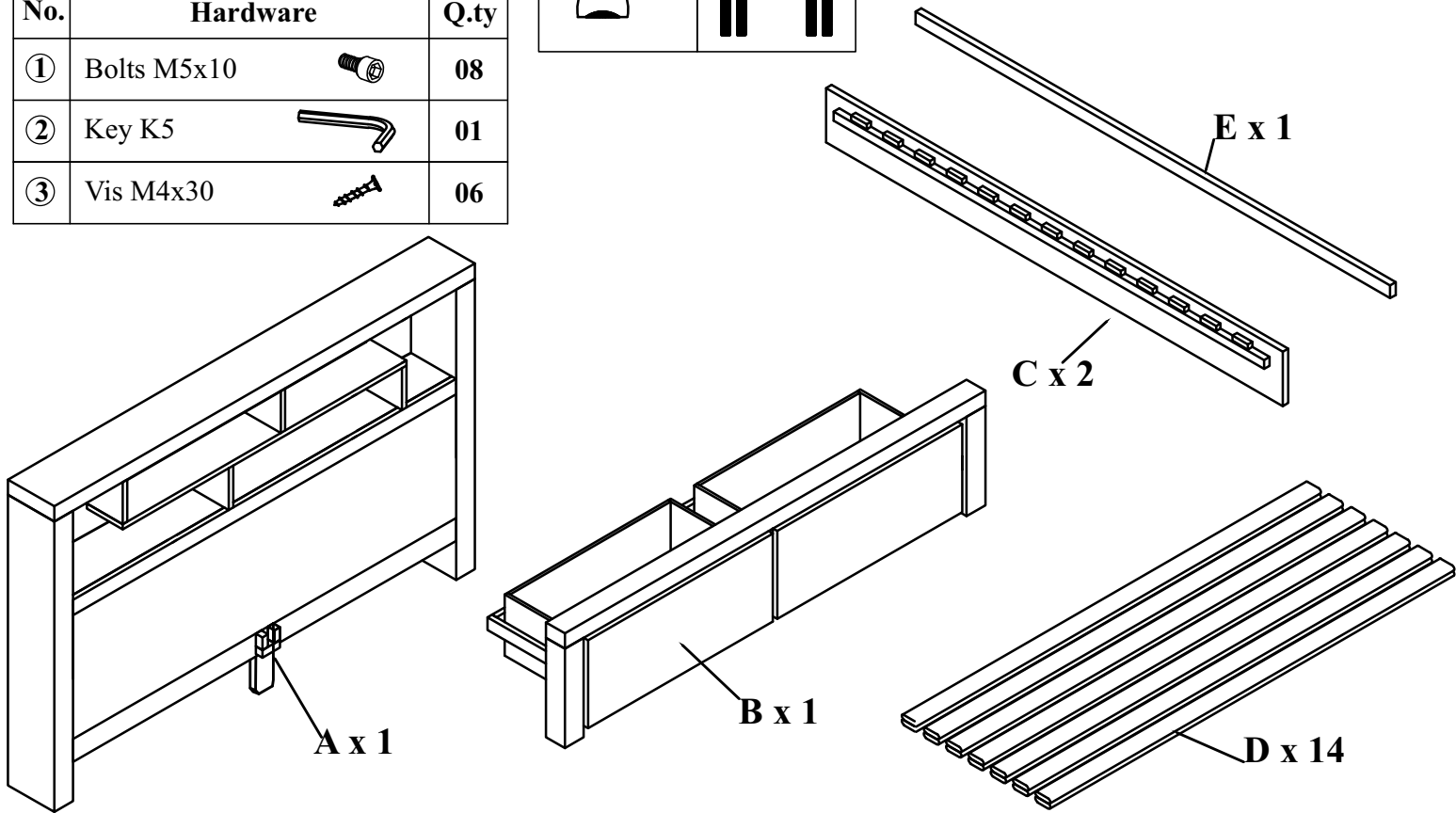
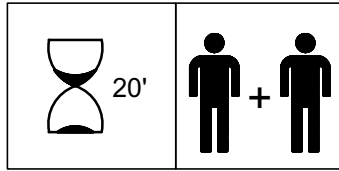


ASSEMBLY INSTRUCTIONS

MICASA 2 STORAGE KING BED

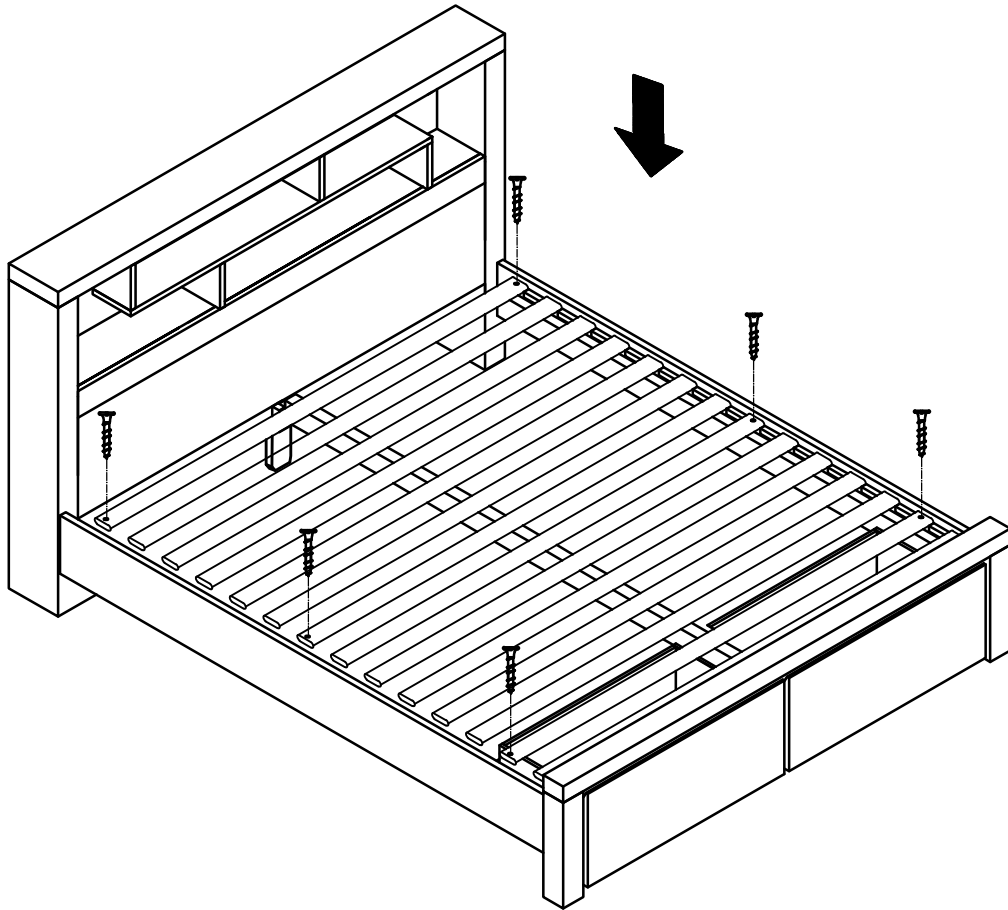
HARDWARE FOR WOODEN

No.	Hardware	Q.ty
①	Bolts M5x10 	08
②	Key K5 	01
③	Vis M4x30 	06



ASSEMBLY INSTRUCTIONS

MICASA 2 STORAGE KING BED



STEP 2

